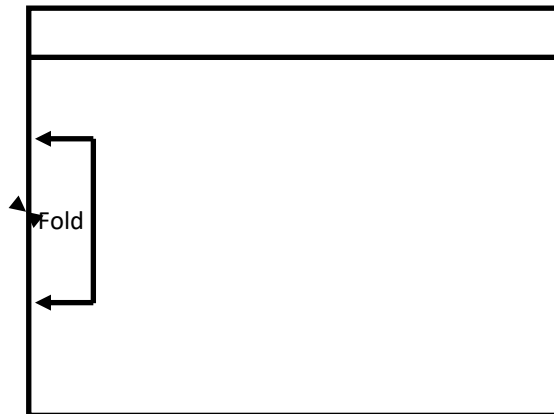
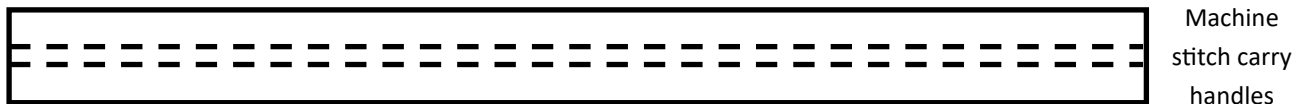
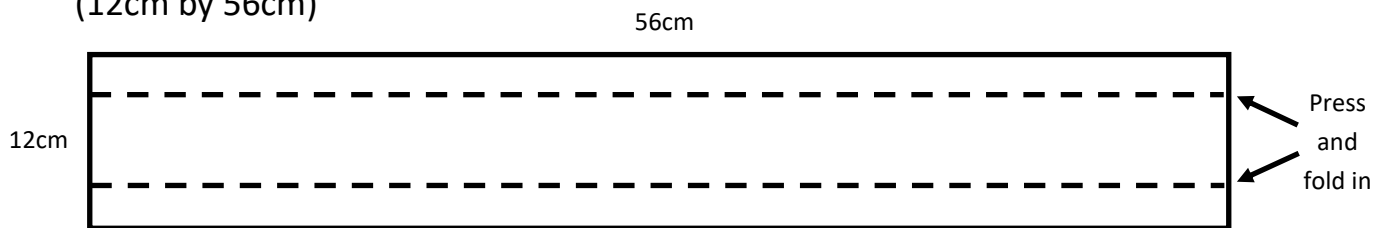
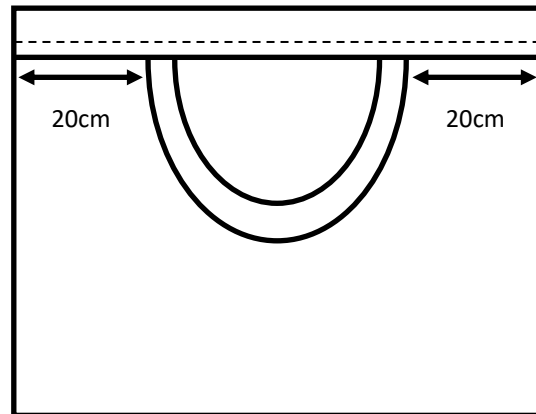


# Fabric Property Bag: Instructions

- Use remnants of light furnishing fabric
- Recommended size of finished bag: 24" by 24" (or 62cm by 62cm)
- Size can be adapted slightly according to the size of material and can be made with a side seam (and fold on the other side), fold to the bottom of the bag or with two side seams
- Use two pieces of material for carry handles – approximately 4.5" by 22" (12cm by 56cm)



Fold and press top hem for bag



Place handle, pin in place and stitch by machine

Fold carry handles up and stitch top seam of casing.

Carry handles now secured by two rows of stitching.

Neaten side and bottom seam.

Press.

